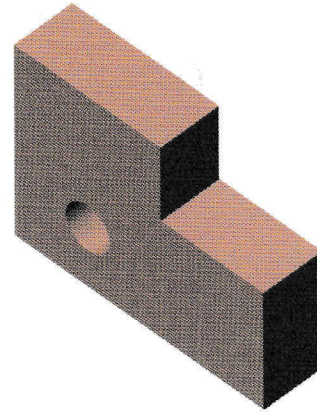


Exercise 3: Sketching Lines and Edit Sketch

Create this part using the information and dimensions provided. Sketch and extrude profiles to create the part.

This lab reinforces the following skills:

- Sketching.
- Dimensions.
- Extruding a feature.
- Edit Sketch.



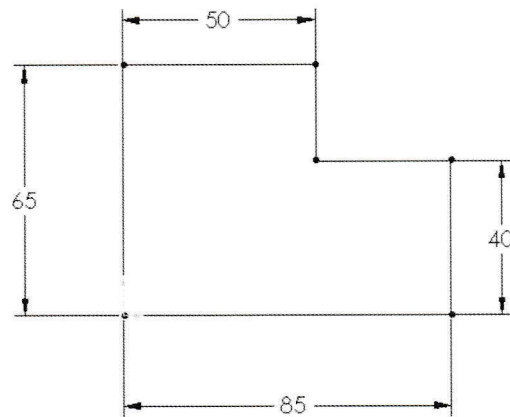
1 New part.

Open a new part using the Part_MM template.

2 Sketch.

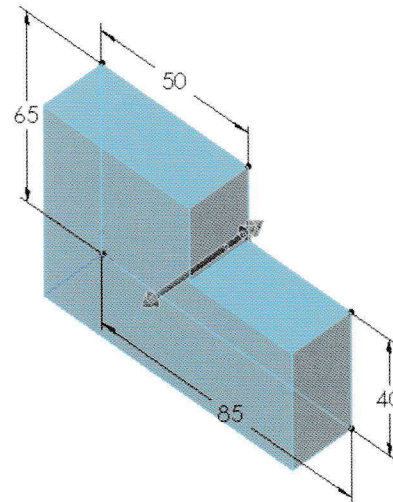
Create this sketch using lines, automatic relations and dimensions.

Fully define the sketch.



3 Extrude.

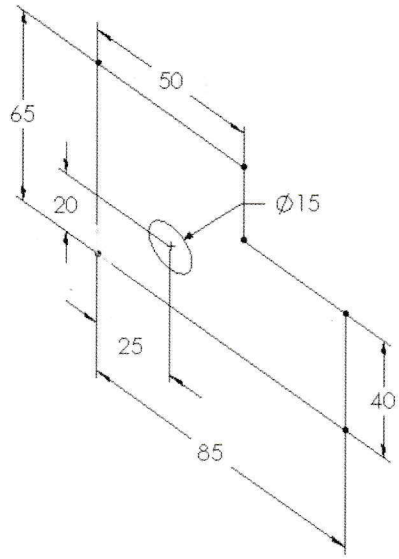
Extrude the sketch 20mm in depth.



4 Edit Sketch.

Edit the sketch and add a circle, diameter **15mm**, positioned as shown.

Exit the sketch.



5 Save and close the part.

