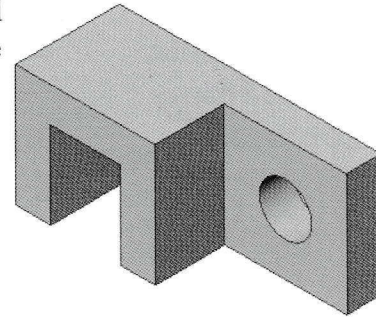


**Exercise 6:
Contour
Sketches #3**

Create this part using the information and dimensions provided. Sketch and extrude profiles to create the part.



This lab reinforces the following skills:

- Sketching.
- Dimensions.
- Contour Selection.
- Extrusions.

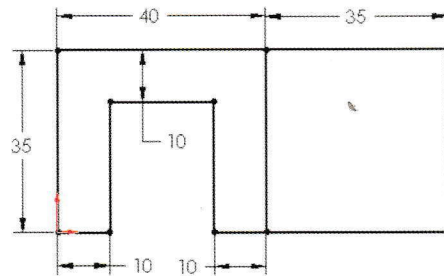
1 New part.

Open a new part using the Part_MM template.

2 Sketch.

Create this sketch.

Dimension it as shown so that the sketch is fully defined.

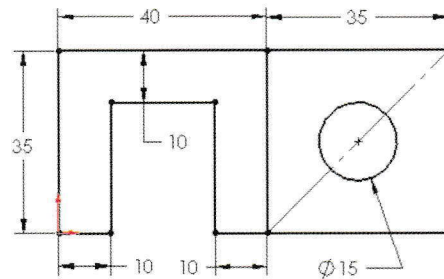


3 Circle.

Add a **15mm** diameter circle so that it is centered in the rightmost rectangular section of the sketch.

An easy way to center a circle within a rectangle is to:

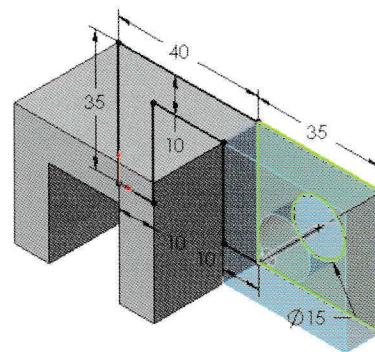
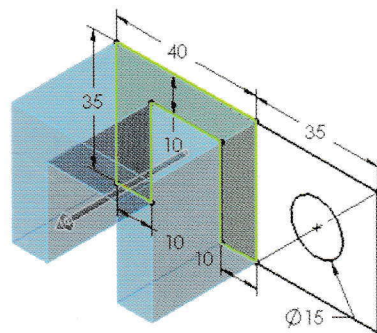
- 1 Sketch a centerline between diagonal corners of the rectangle.
- 2 Sketch the circle.
- 3 Add a **Midpoint** relation between the centerline and the center of the circle.



Tip

4 Extrude contours.

Extrude the selected contours **30mm** and **10mm** respectively.



5 Save and close the part.